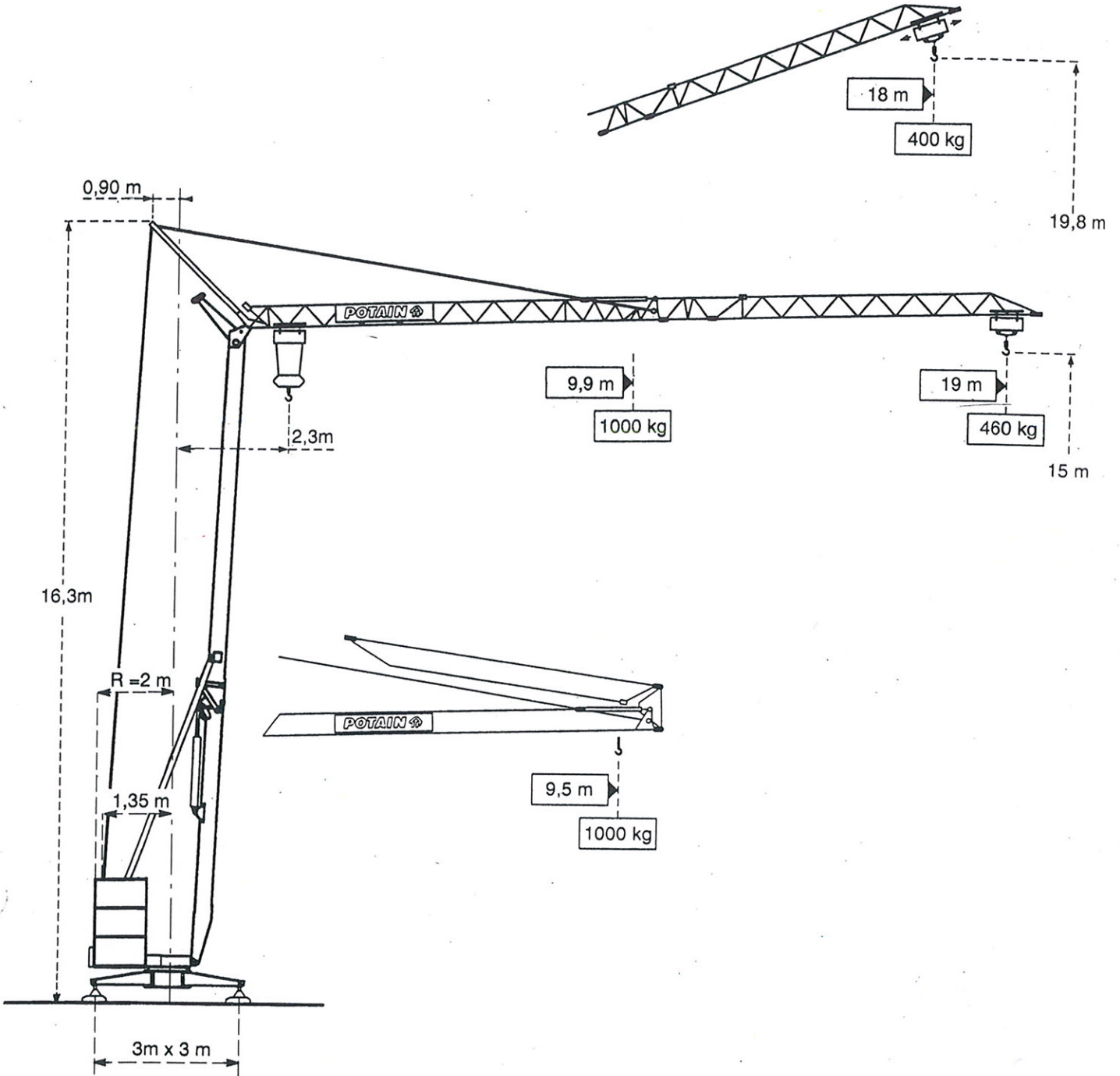


HD 10 A2



# HD 10 A2

**POTAIN**  <sup>®</sup>



## Load diagrams – Lastdiagram



9,5 m  
1000 kg



9,9	11	12	13	14	15	16	17	18	19	m
1000	890	810	730	670	615	570	530	500	460	kg

## Mechanisms – Aandrijvingen

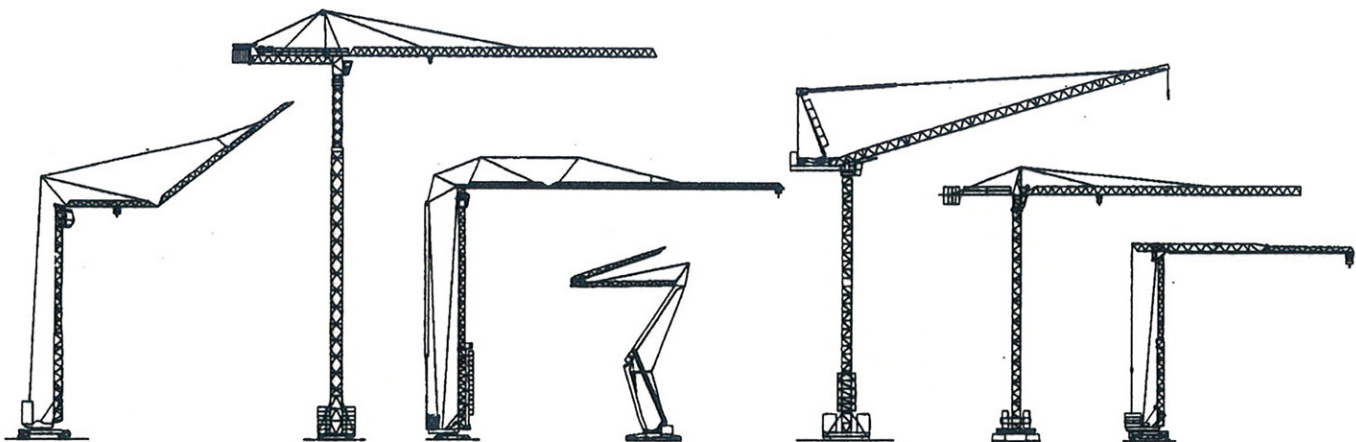
				m/mn	kg	kW
<b>Hoisting Hijzen</b>	5 PC 5 	400V Three phase		↕ 4,1	1000	3,7
				↕ 16	1000	
				↕ 32	500	
<b>Trolleying Katrijden</b>		1 DC1 V2.		20		1,1
<b>Slewing Zwenken</b>		RVF 20		0,3 → 1 rpm – omw./ mn.		0,6

Nominal voltage : 400 V three phase ( + 6% – 10% ) – 50Hz  
Power required : 7,5 kVA ( 5,5 kW )

FEM .1.001 – A3



Subject to modifications



Printed in France

Document for commercial use only

Copyright. Reproduction interdite © POTAIN 1997

**POTAIN**

18.Rue de Charbonnières, B.P. 173  
F-69132 ECULLY Cedex  
Tél. (33)04.72.18.20.20  
Fax (33)04.72.18.20.00  
<http://www.potain.com>  
E-mail : mkt@potain.fr

**Deutschland**  
POTAIN GmbH  
**Italia**  
POTAIN S.p.A.  
**Singapore**  
POTAIN PTE LTD

Tel : 06.105.704.0

Tel : 0.331.49.33.11

Tel : (00.65) 227.1550



Geleen  
Heiweg 16, 6161 DA Geleen  
Postbus 1006, 6160 BA Geleen  
Tel. 046 475 33 77, Fax 046 - 475 20 84  
Waddinxveen  
Coenecoop 58, 2741 PD Waddinxveen  
Postbus 166, 2740 AD Waddinxveen  
Tel. 0182 302 180, Fax 0182 - 302 189

**HD 10 A2**

Ref. 1997.04 TCI